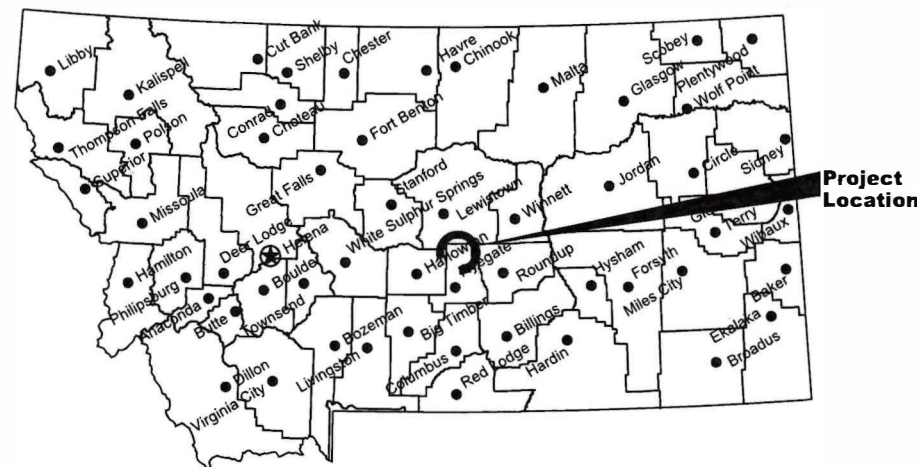


# Montana Fish, Wildlife & Parks Big Snowy Mountains WMA 2024 Fencing

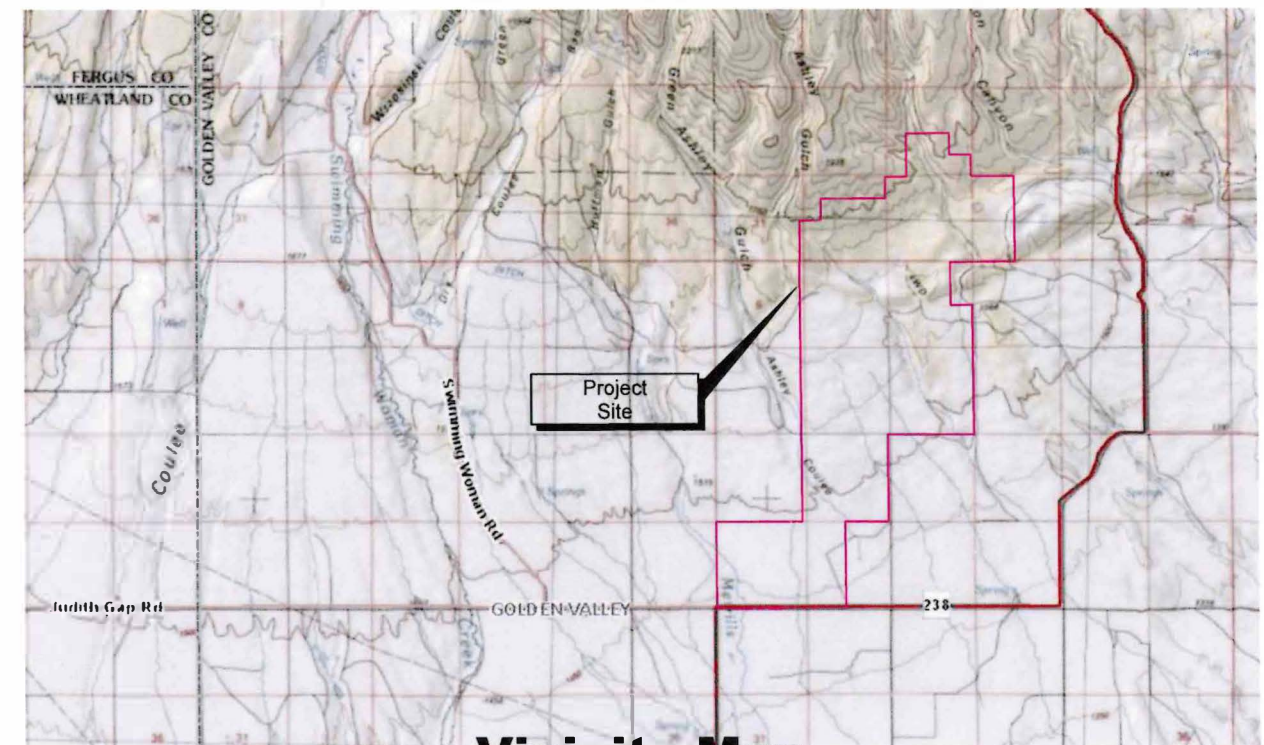
Rothiemy, Golden Valley County, Montana

FWP Project No. 75862



**Location Map**

No Scale



**Vicinity Map**

No Scale



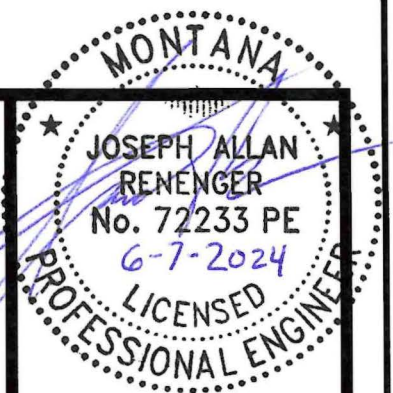
**MONTANA FISH, WILDLIFE AND PARKS  
DESIGN AND CONSTRUCTION**

**MAILING ADDRESS:** PO BOX 200701  
HELENA, MT 59620-0701  
TEL 406.841.4000  
FAX 406.841.4004  
fwp.mt.gov/Doing Business/Design&Construction

**PHYSICAL ADDRESS:** 1522 9th AVENUE  
HELENA, MT 59601

**DRAWING INDEX**

Sheet	Description	Sheet	Description
1	Cover	6	Upper Site Plan
2	Fencing Schedule	7	Fencing Details
3	Overall Site Plan	8	Braces & Panels
4	Lower Site Plan	9	Gate & Anchor Tree Details
5	Middle Site Plan		



Tom Mannatt June 15, 2024  
DRAWN BY: DATE:

Joey Renenger June 15, 2024  
CHECKED BY: DATE:

APPROVED BY: DATE:

APPROVED BY: DATE:

APPROVED BY: DATE:

APPROVED BY: DATE:



**MONTANA FISH,  
WILDLIFE & PARKS**

Big Snowy Mountains WMA 2024 Fencing  
Cover Sheet

SHEET: 1 of 9

Estimated Quantities - Big Snowy Mountains WMA 2024 Fencing							
LOCATION	LF		EA				
	Remove Fence	3- Wire Suspension Fence	Single Leg End Panel	2 Post Panel	3 Post Panel / Corner	16' Wire Gate	Anchor Tree Brace
A to B	7908	7908	2	13	1	1	
B to C		5270		10	1		
C to D	2568	2568	2	4		1	
E to F	5323	5323	2	8		1	
F to G	10561	10561		21	2		
G to H	10810	10810		22	1		
H to I	6351	6351	2	12	2		
J to K	9226	9226	9	8	4	4	4
K to M	2432	2432	1	5	1		
M to N	9466	9466	8	12	5	4	4
N to A	5298	5298	8	10		2	
Project Total	69943	75213	34	125	17	13	8

**NOTES:**

1. THE CONTRACTOR IS REQUIRED TO NOTIFY AND COORDINATE ALL WORK WITH FWP PROJECT MANAGER.
2. SUBMITTALS ARE REQUIRED FOR ALL MATERIALS USED ON THE PROJECT
3. ALL EXTRANEIOUS WORK/COSTS TO COMPLETE THE WORK SHALL BE INCLUDED AND BE CONSIDERED TO FULL PAYMENT AS PER COST PROPOSAL.
4. CONTRACTOR SHALL TAKE CARE NOT TO DAMAGE FWP PROPERTY OR NEIGHBORING LANDOWNER'S PROPERTY. ANY DAMAGE CAUSED BY THE CONTRACTOR SHALL BE THE CONTRACTOR'S RESPONSIBILITY TO REPAIR TO SATISFACTION OF PROJECT MANAGER.
5. EQUIPMENT USED SHALL NOT LEAK FLUIDS. IT SHALL BE POWER WASHED BEFORE HAULING TO SITE AND EXAMINED BY PROJECT MANAGER.
6. EQUIPMENT AND MATERIALS SHALL BE STAGED IN AREAS APPROVED BY THE PROJECT MANAGER.
7. CONTRACTOR SHALL LIMIT ALL TRAVEL TO TWO TRACK ACCESS ROADS OR ADJACENT TO FENCE LINES ON MONTANA FWP PROPERTY.
8. UNLESS OTHERWISE NOTED, CONTRACTOR SHOULD INSTALL FENCE ONE FOOT INSIDE OF PREVIOUS SURVEYED EXTERIOR BOUNDARY.
9. CONTRACTOR WILL BE RESPONSIBLE FOR PROPER REMOVAL AND DISPOSAL OF ALL FENCE MATERIALS INCLUDING WIRE, STEEL POSTS AND ALL WOOD POSTS AS STATED IN SECTION 02112.
10. FWP SUPPLIED BOUNDARY SIGNS SHALL INSTALLED BY THE CONTRACTOR AS STATED IN SECTION 02810. THIS WORK SHALL BE CONSIDERED INCIDENTAL TO OTHER WORK AND WILL NOT BE MEASURED FOR PAYMENT.

Tom Mannatt 6/15/2024  
 DRAWN BY: DATE:  
 Joey Renenger 6/15/2024  
 CHECKED BY: DATE:

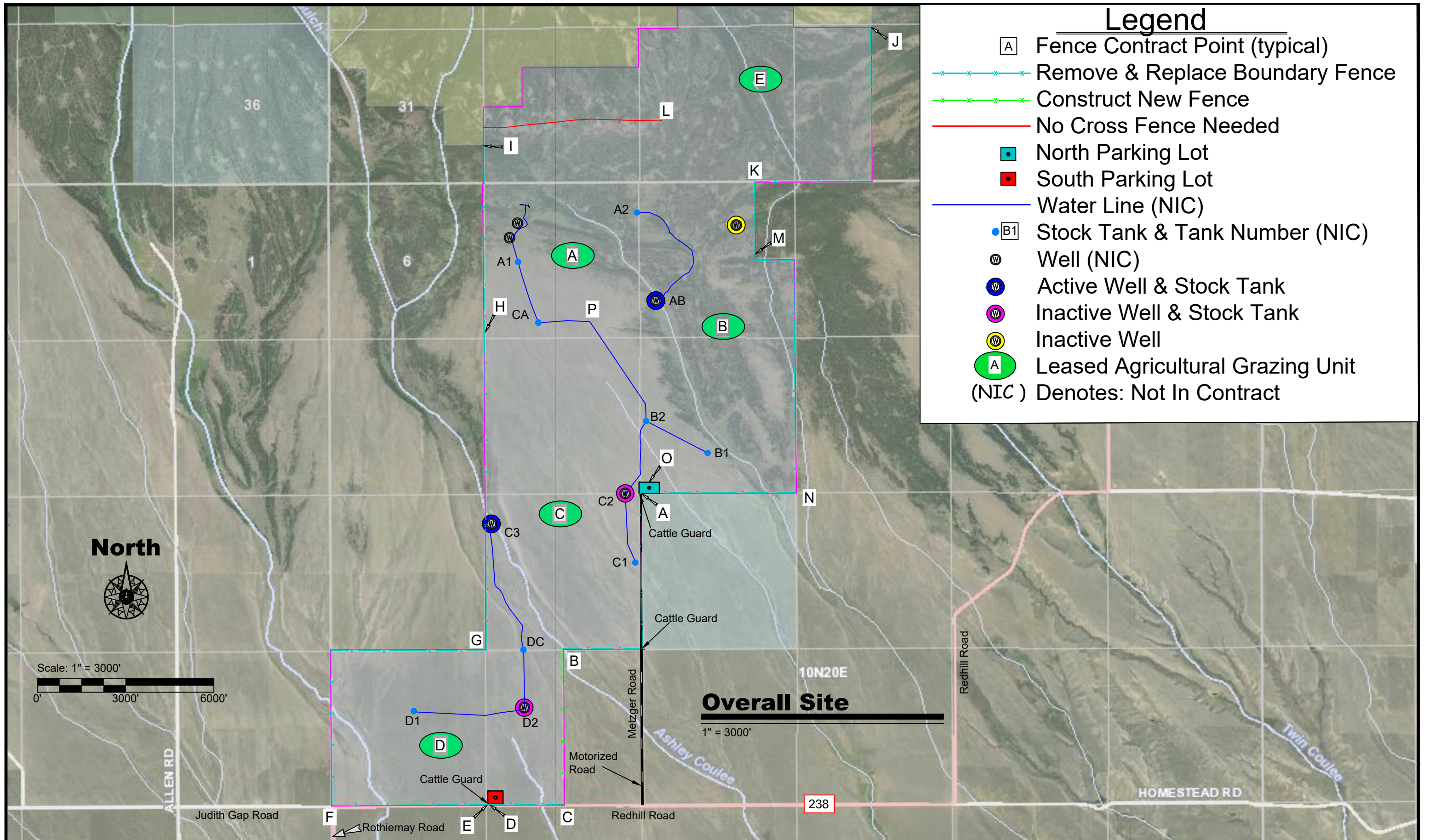
APPROVED BY: DATE:  
 APPROVED BY: DATE:

APPROVED BY: DATE:  
 APPROVED BY: DATE:



**MONTANA FISH,  
 WILDLIFE & PARKS**

Big Snowy Mountains WMA 2024 Fencing  
 Fencing Schedule



### Legend

- A Fence Contract Point (typical)
- x—x—x—x— Remove & Replace Boundary Fence
- x—x—x—x— Construct New Fence
- No Cross Fence Needed
- North Parking Lot
- South Parking Lot
- Water Line (NIC)
- B1 Stock Tank & Tank Number (NIC)
- W Well (NIC)
- W Active Well & Stock Tank
- W Inactive Well & Stock Tank
- W Inactive Well
- A Leased Agricultural Grazing Unit (NIC) Denotes: Not In Contract

Tom Mannatt 6/15/2024  
 DRAWN BY: DATE:  
 Joey Renenger 6/15/2024  
 CHECKED BY: DATE:

APPROVED BY: DATE:  
 APPROVED BY: DATE:  
 APPROVED BY: DATE:

APPROVED BY: DATE:  
 APPROVED BY: DATE:  
 APPROVED BY: DATE:



**MONTANA FISH,  
 WILDLIFE & PARKS**  
 122

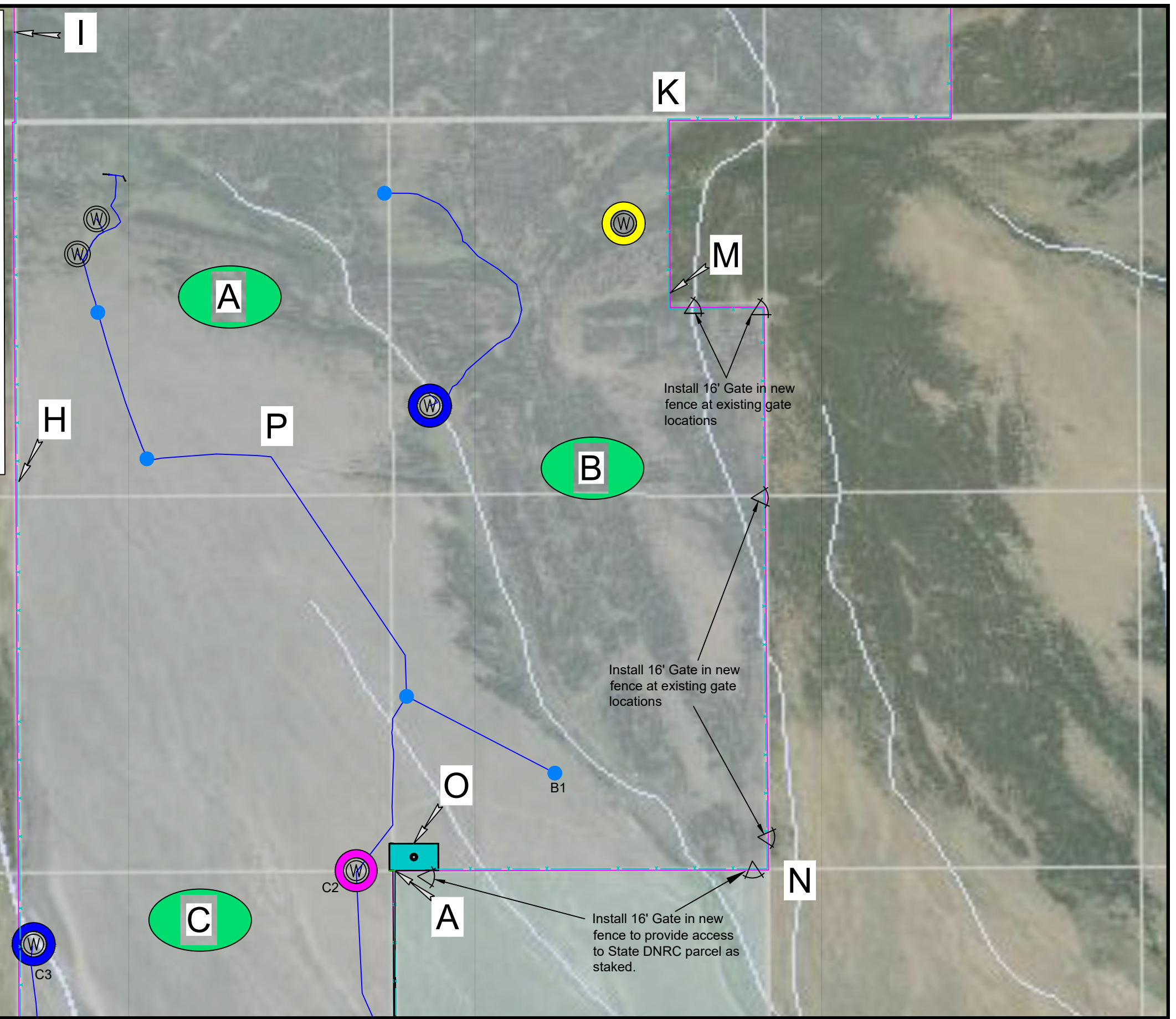
**Big Snowy Mountains WMA 2024 Fencing  
 Overall Site Map**

SHEET: **3**  
 of **9**

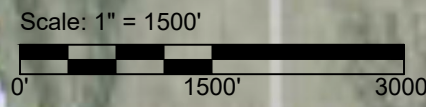


# Legend

- A Fence Contract Point (typical)
- x—x— Remove & Replace Boundary Fence
- x—x— Construct New Fence
- No Cross Fence Needed
- Water Line ( NIC)
- B1 Stock Tank & Tank Number (NIC)
- W Well (NIC)
- W Active Well & Stock Tank
- W Inactive Well & Stock Tank
- W Inactive Well
- A Leased Agricultural Grazing Unit
- △ 16' Gates
- (NIC) Denotes: Not In Contract



North



Tom Mannatt 6/15/2024  
 DRAWN BY: DATE:  
 Joey Renenger 6/15/2024  
 CHECKED BY: DATE:

APPROVED BY: DATE:  
 APPROVED BY: DATE:

APPROVED BY: DATE:  
 APPROVED BY: DATE:



**MONTANA FISH,  
 WILDLIFE & PARKS**

Big Snowy Mountains WMA 2024 Fencing  
 Middle Site Map

SHEET: 5  
 of 9

North



Scale: 1" = 1500'



Patterson Canyon

Install 16' Gate in new fence at access road crossing.

Install 16' Gate in new fence at access road crossing.

Install 16' Gate in new fence at access road crossing.

### Legend

- Fence Contract Point (typical)
  - Remove & Replace Boundary Fence
  - Construct New Fence
  - No Cross Fence Needed
  - Water Line (NIC)
  - Stock Tank & Tank Number (NIC)
  - Well (NIC)
  - Active Well & Stock Tank
  - Inactive Well & Stock Tank
  - Inactive Well
  - Leased Agricultural Grazing Unit
  - 16' Gates
- (NIC) Denotes: Not In Contract

Tom Mannatt 6/15/2024  
 DRAWN BY: DATE:  
 Joey Renenger 6/15/2024  
 CHECKED BY: DATE:

APPROVED BY: DATE:  
 APPROVED BY: DATE:

APPROVED BY: DATE:  
 APPROVED BY: DATE:

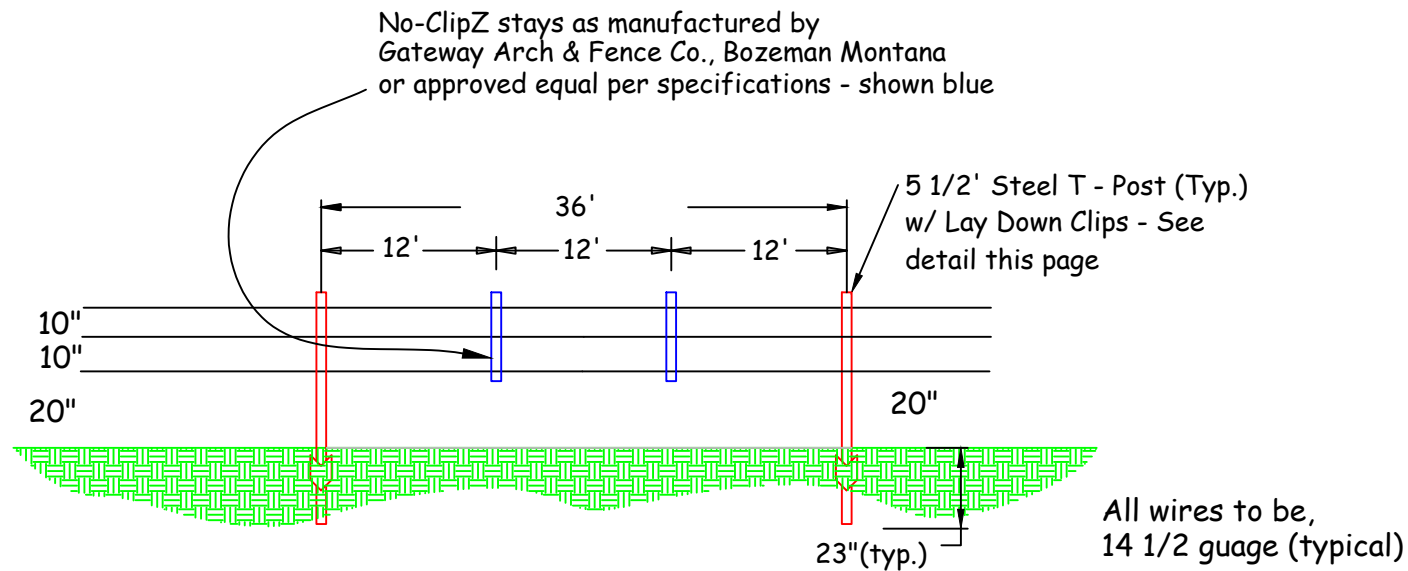


**MONTANA FISH,  
WILDLIFE & PARKS**

136

Big Snowy Mountains WMA 2024 Fencing  
Upper Site Map

SHEET: 6 of 9



## Suspension Fencing Line Post



Steel Post Lay Down Fencing Clips



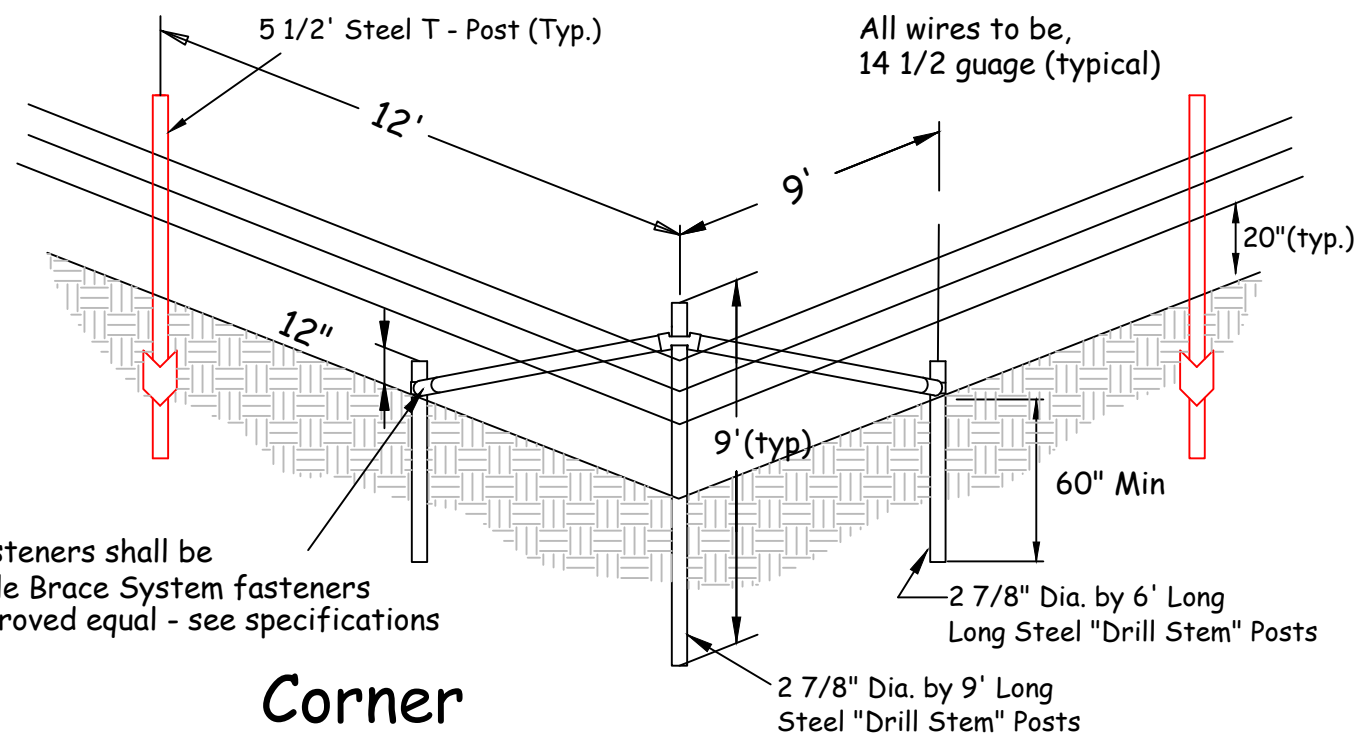
Wood Post Lay Down Fencing Clips



Installation Tool

All lay down clips shall be Tincup Creek Fence System fasteners or approved equal - see specifications

## Lay Down Fencing Clips

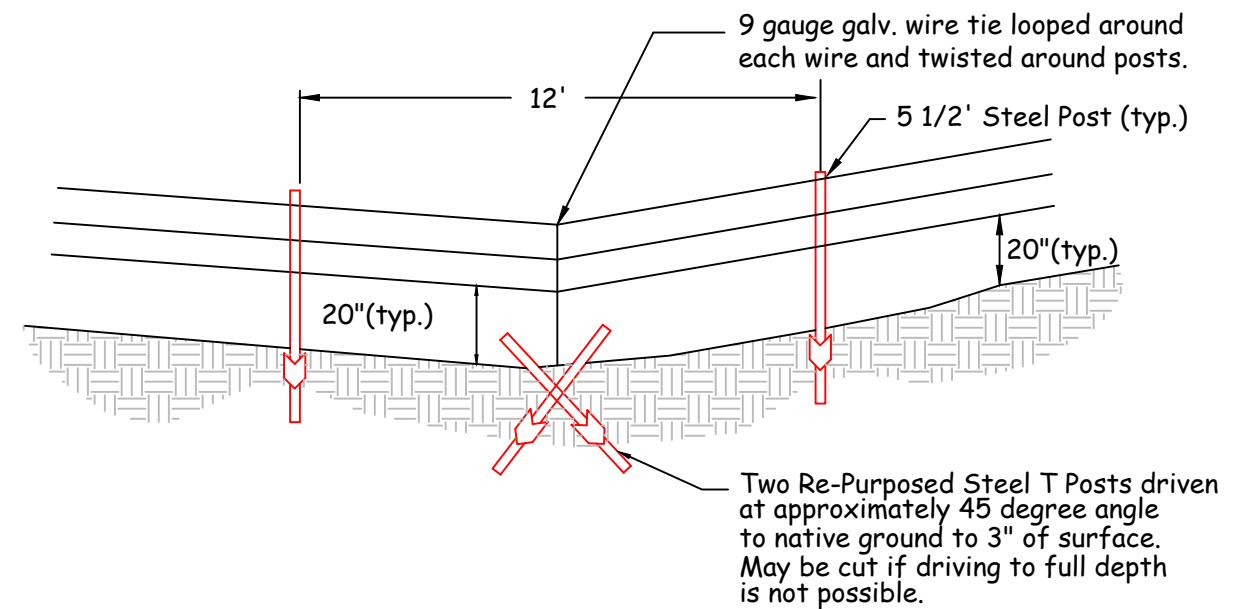


All fasteners shall be Keyhole Brace System fasteners or approved equal - see specifications

## Corner

Note: Corners may be substituted with 3-Post Panel shown on Sheet 8 of 9

Note: Flattened End Brace System may be substituted for corner brace see sheet 8 of 9 - Single Leg End Panel w/ Flattened End Diagonal



## Typical Deadman Anchor Detail

Tom Mannatt 6/15/2024  
DRAWN BY: DATE:

APPROVED BY: DATE:

APPROVED BY: DATE:

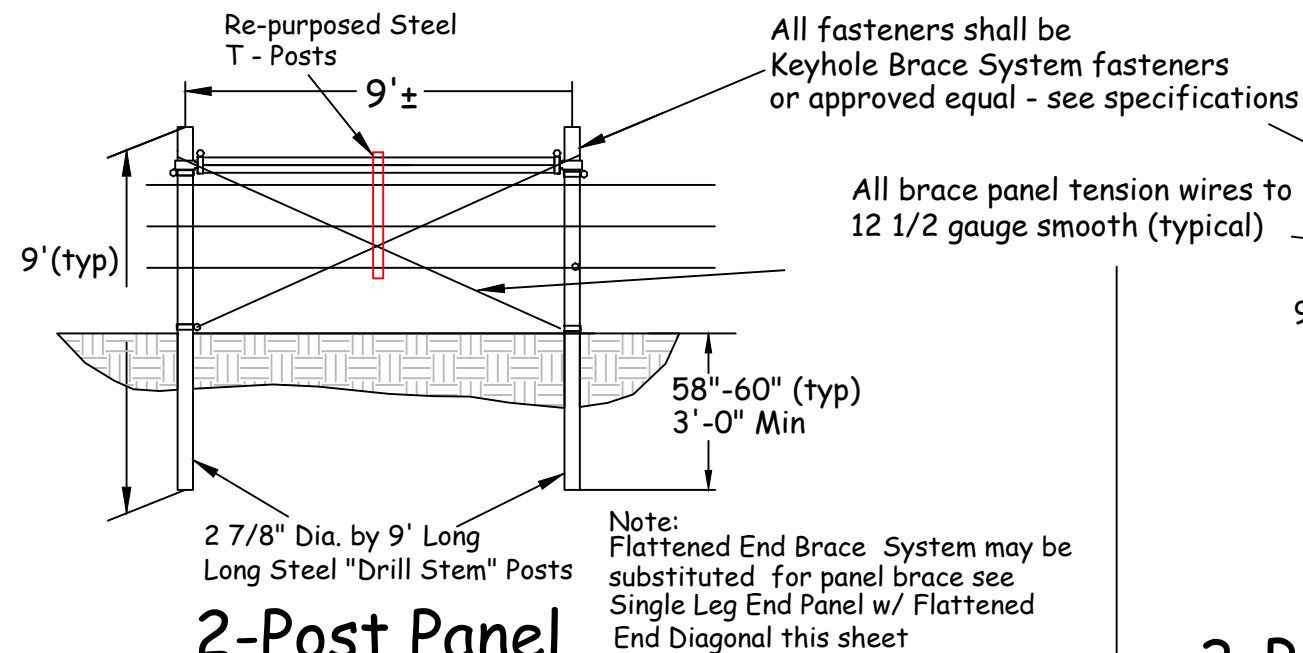


**MONTANA FISH,  
WILDLIFE & PARKS**

136

Big Snowy Mountains WMA 2024 Fencing  
Fencing Details

SHEET: 7  
of 9



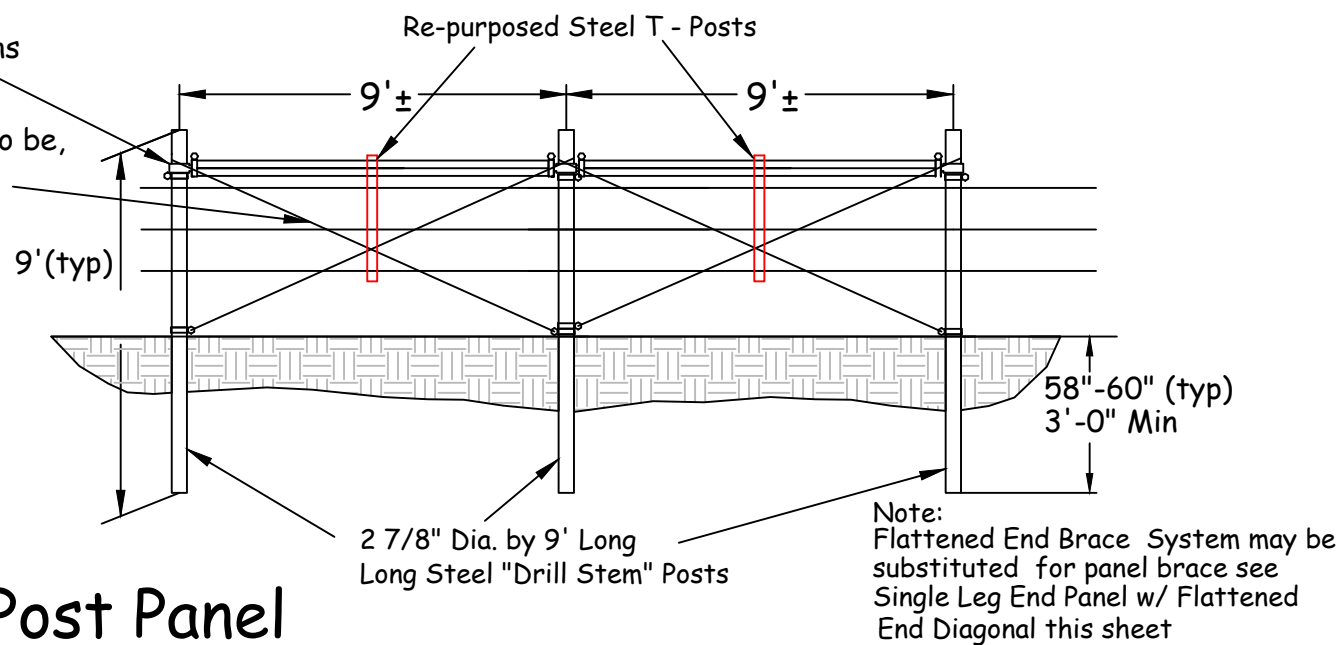
### 2-Post Panel

Wire spacing as shown in typical fence detail.

All fasteners shall be Keyhole Brace System fasteners or approved equal - see specifications

All brace panel tension wires to be, 12 1/2 gauge smooth (typical)

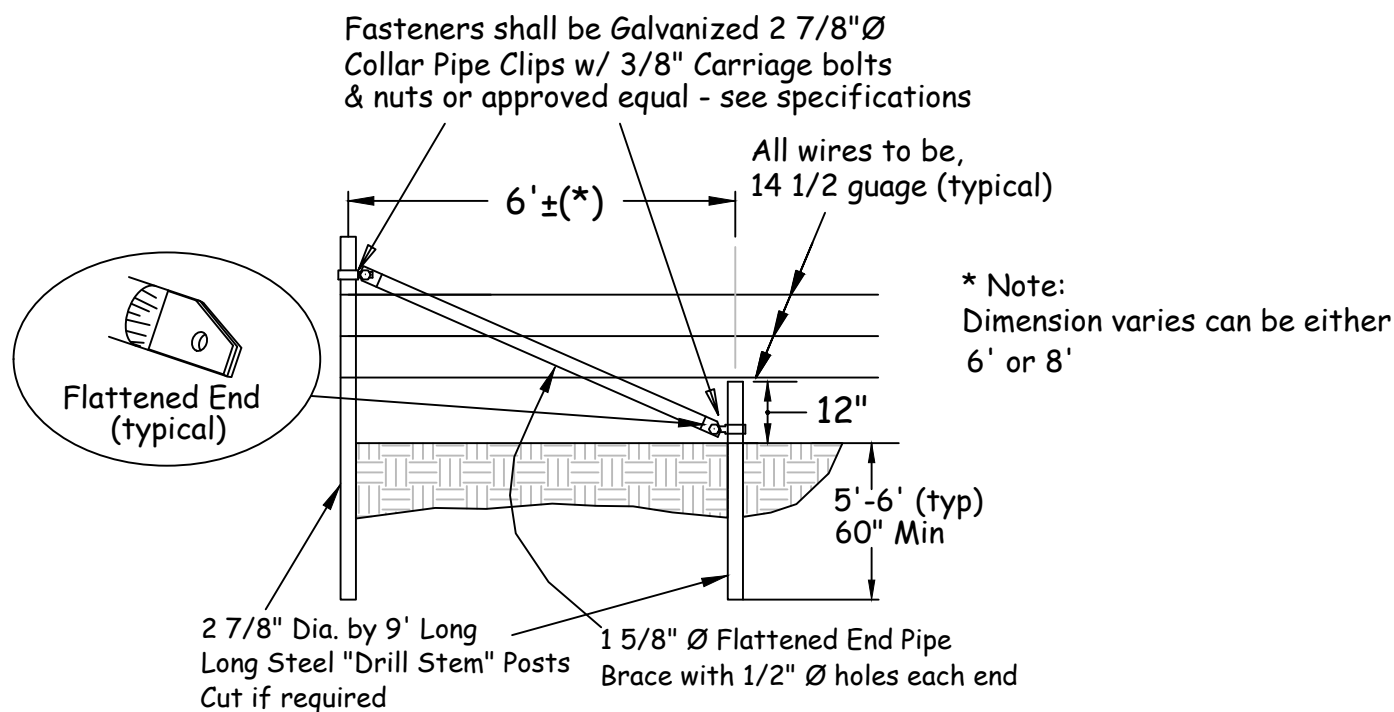
Note: Flattened End Brace System may be substituted for panel brace see Single Leg End Panel w/ Flattened End Diagonal this sheet



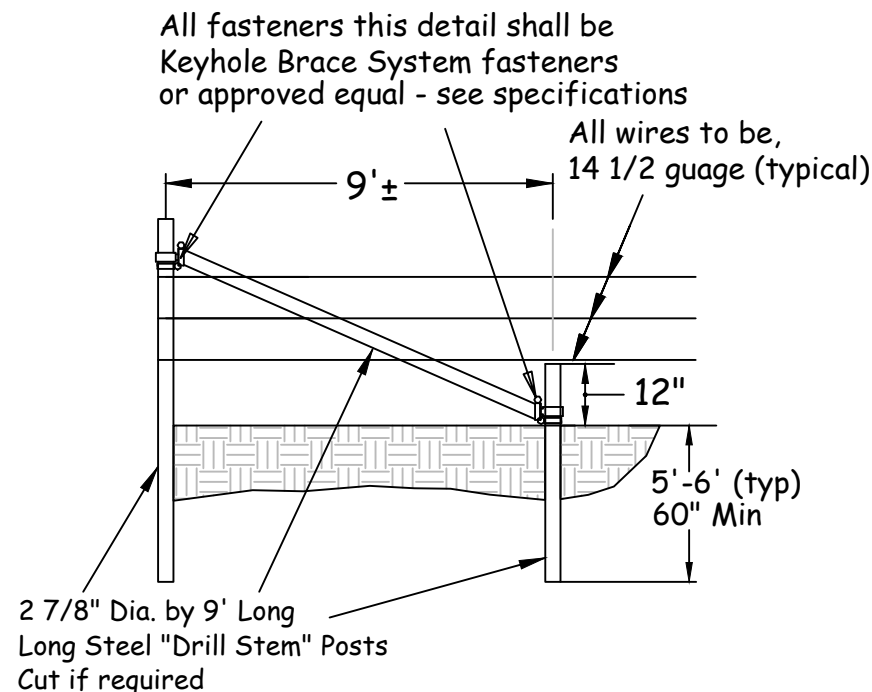
### 3-Post Panel

Wire spacing as shown in typical fence detail.

Note: Flattened End Brace System may be substituted for panel brace see Single Leg End Panel w/ Flattened End Diagonal this sheet



### Single Leg End Panel w/ Flattened End Diagonal (Alternate - Flattened End Brace System)



### Single Leg End Panel

Tom Mannatt 6/15/2024  
DRAWN BY: DATE:

APPROVED BY: DATE:

APPROVED BY: DATE:



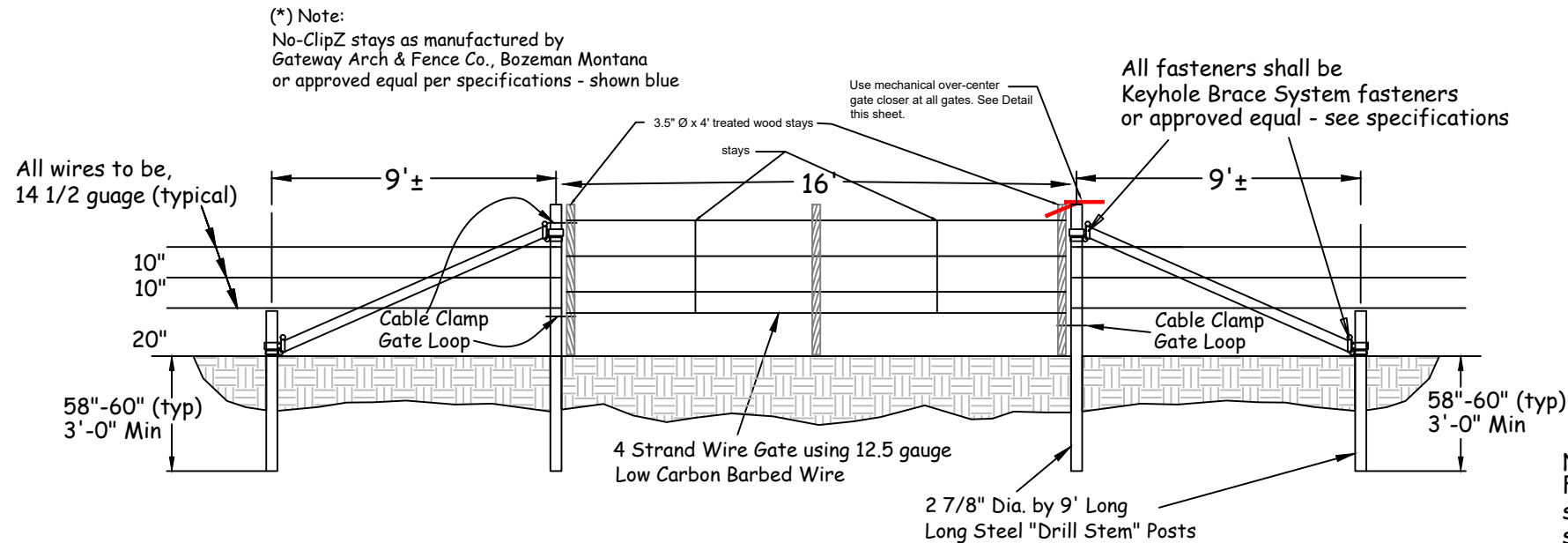
**MONTANA FISH,  
WILDLIFE & PARKS**

132

Big Snowy Mountains WMA 2024 Fencing  
Braces & Panels

SHEET: 8  
of 9

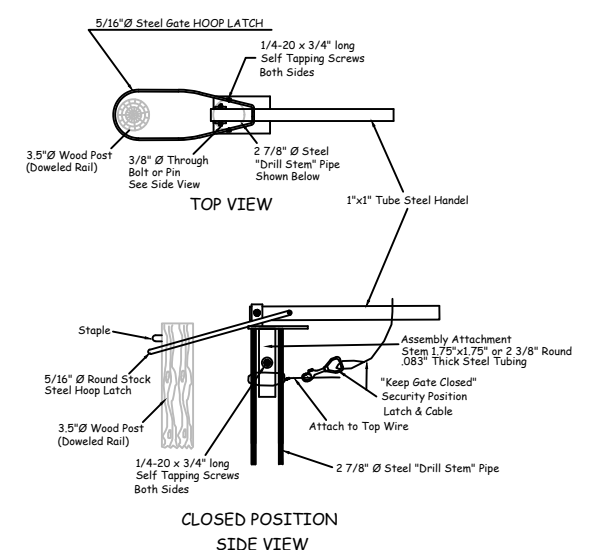




**16' Gate Detail**

\* All Wire to be Two-Strand Barbless Wire

Note:  
Flattened End Brace System may be substituted for metal brace panels see sheet 8 of 9 - Single Leg End Panel w/ Flattened End Diagonal

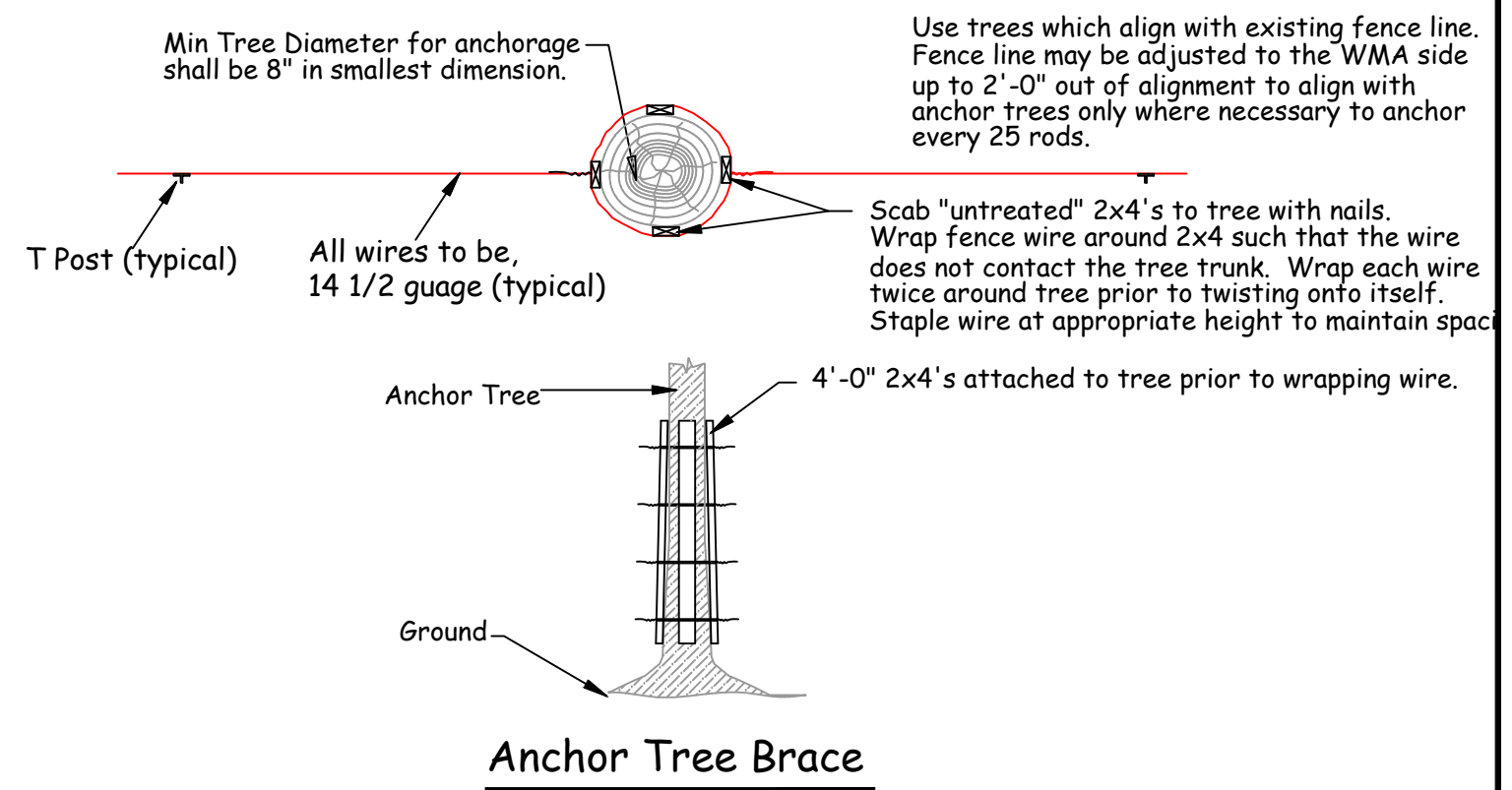


Note: The Gate Closure Assembly shown above is based on drill stem piping with a inside diameter 2.441 inches. If drill stem is used with a different inside diameter the assembly attachment stem will have to be revised so that the stem will fit snugly.

Gate Closure Assemblies shall be as Manufactured by Custom AG Service & Repair, Miles City, Montana; Reever's Fencing LLC, Scobey, Montana or Approved Equal

**Drill Stem Pipe Gate Closure Detail**

Not To Scale



Tom Mannatt 6/15/2024  
DRAWN BY: DATE:

Joey Renenger 6/15/2024  
CHECKED BY: DATE:

APPROVED BY: DATE:

APPROVED BY: DATE:

APPROVED BY: DATE:

APPROVED BY: DATE:



**MONTANA FISH, WILDLIFE & PARKS**

**Big Snowy Mountains WMA 2024 Fencing Gate & Anchor Tree Details**